

Datasheet VentilationJet® - US

The VentilationJet® is designed for mixing air from above the screens into the greenhouse. This document includes the fan specifications.



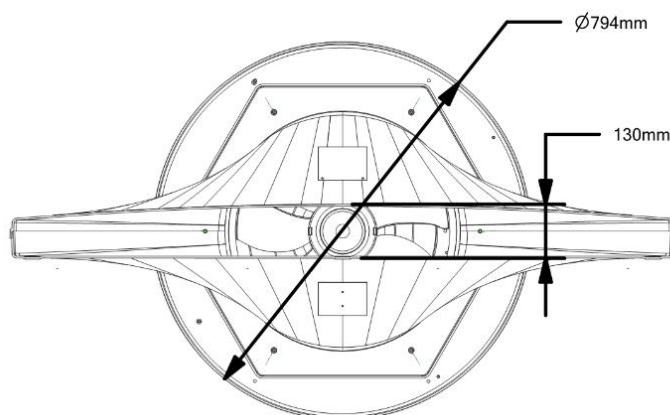
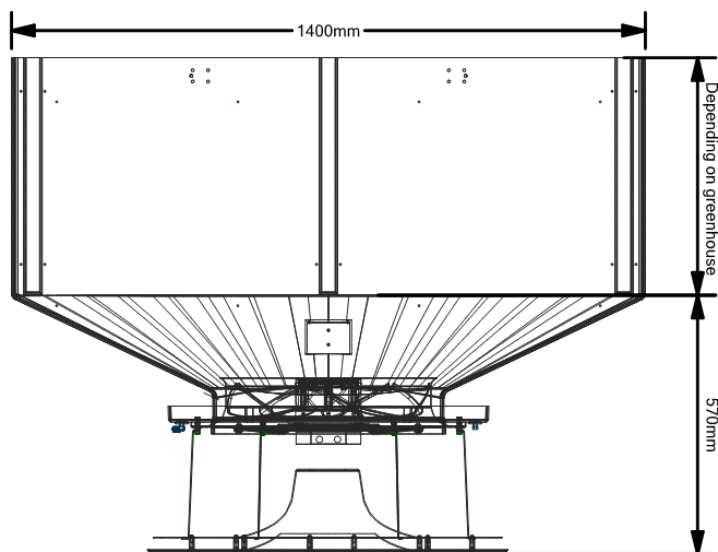
Specifications

Description

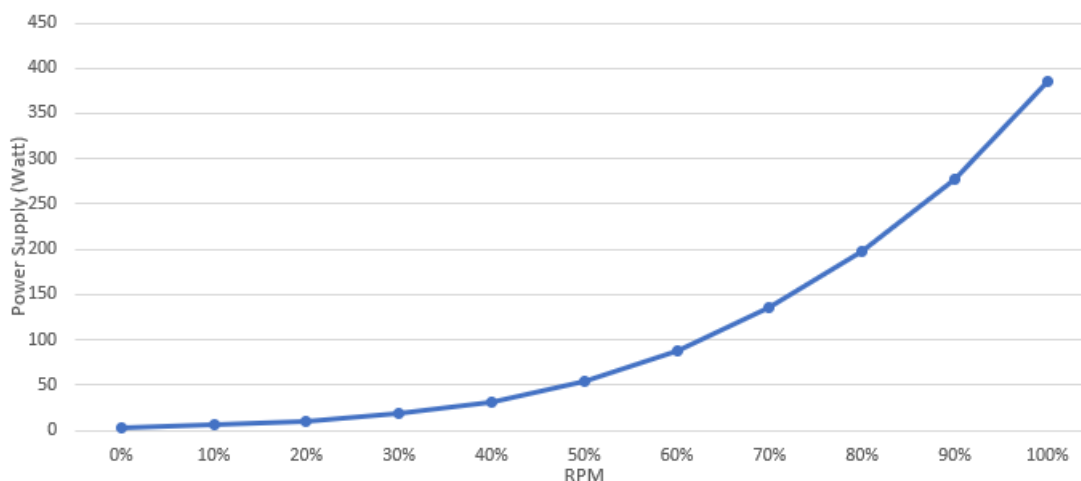
VentilationJet

Line voltage	1~ 200-277V 50/60Hz P1 390W 1,95-1,4A
Rated values	EC 1470rpm 60°C IP54, THCL 155
Motor	cRUus UL Recognized Component
Power connection out	Incl. power cable 2M – Inc. Wieland Plug 96.032.4053.1
Electrical connection	Integrated Controller
Adjustable control	0-10 Volt
Motor protection	Integrated active temperature management
Min. operating temperature °C	-35
Quality of bearing	Ball bearing with long-time lubrication
Color of rotor	Marine blue
Material rotor	Steel
Color of blade	Black
Material blade	PA6GF30
Material of inlet	ABS/PMMA
Protection	Incl.
Weight	12 KG / 26.4 lb.

Specifications



Intake unit power consumption



RIGHTS Copyright © Hinova, Bleiswijk 2019. All rights reserved.
Names marked with a ® are registered trademarks of Hinova.

These terms of delivery can be viewed on our website www.hinova.nl and we will send you a free copy on request. In addition, supplementary contractual and/or general terms by your Hinova partner or installer may apply. In case of contradictions, the terms of the dealer/installer shall prevail.